

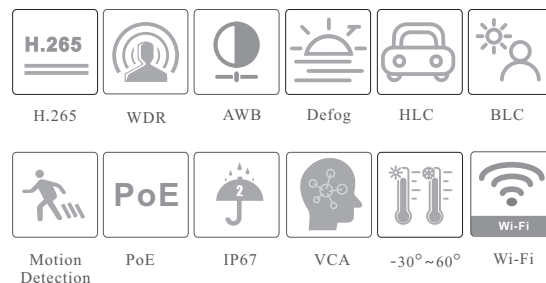
CAMERA

# VSC-IPT4BLWFS4F28

4MP IR Water-proof Bullet  
Network Camera



- H.265 /H.264/MJPEG coding
- Max.resolution: 4MP ( 2560 × 1440)
- ICR auto switch, true day / night vision
- 3D DNR, WDR, HLC, BLC, smart IR, etc.
- ROI coding
- 20~30m IR night view distance
- Built-in micro SD card slot, up to 256GB
- DC12V/PoE power supply
- IP 67 ingress protection
- Support Wi-Fi
- Support three streams
- Support remote monitoring by smart phones& tablet PCs with iOS and Android OS
- Intelligent analytics



visarcctv.com

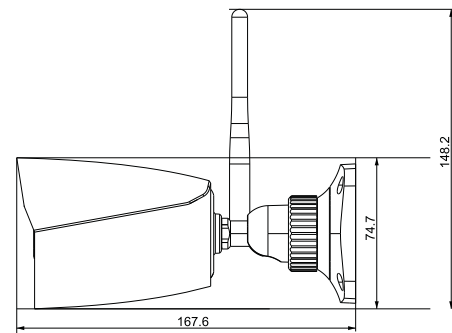
For more information, please visit our website

### SPECIFICATIONS

Specifications	Model	VSC-IPT4BLWFS4F28		
<b>Camera</b>				
Image Sensor	1 / 3" CMOS			
Image Size	2560×1440			
Electronic Shutter	1 / 2s ~ 1 / 100000s			
Iris Type	Fixed Iris			
Min. Illumination	0.005 lux @F1.6, AGC ON; 0 lux with IR			
Lens	2.8mm@F1.6, Horizontal FoV: 94°; Vertical FoV: 50°; Diagonal FoV: 115°			
Focus	Fixed			
Lens Mount	M12			
Day&Night	ICR			
Wide Dynamic Range	120dB			
BLC	Yes			
HLC	Yes			
Digital NR	Yes			
S/N ratio	≥50dB			
Angle Adjustment	Pan: 0°~360°; Tilt: 0°~80°; Rotation: 0°~360°			
<b>Image</b>				
Video Compression	Main stream: H.265 / H.264 Sub/Third stream: H.265 / H.264 / MJPEG			
H.265 Compression Standard	Main Profile@Leve4.1 High Tier			
Resolution	4MP ( 2560 × 1440 ), 3MP ( 2304 × 1296 ), 1080P ( 1920 × 1080 ), 720P ( 1280 × 720 ), D1, 480 × 240, CIF			
Main Stream	60Hz: 4MP/3MP/1080P/720P(1~30fps); 50Hz: 4MP/3MP/1080P/720P(1~25fps)			
Sub Stream	60Hz: 720P/D1/CIF (1~30fps); 50Hz: 720P/D1/CIF (1~25fps)			
Third Stream	60Hz: D1/480×240/CIF (1~30fps); 50Hz: D1/480×240/CIF (1~25fps)			
Bit Rate	64 Kbps ~ 8 Mbps			
Bit Rate Type	VBR / CBR			
Image Settings	ROI, Saturation, Brightness, Hue, Contrast, Wide Dynamic, Sharpness, Image Mirror, Image Flip, NR, etc. adjustable through client software or web browser			
ROI	Each ROI to be configured separately			
<b>Interfaces</b>				
Network	RJ 45 10M/100M self-adaptive Ethernet port			
Video Output	No			
Audio	1CH audio input			
Storage	Built-in micro SD card slot, up to 256GB			
Reset	Yes			
<b>Functions</b>				
Remote Monitoring	Web browser / NVR/NVMS2.X/Mobile APP			
Web Browser	IE11(plug-in required)/Chrome 89.0+/Edge 89.0+/Firefox 87.0+/Safari 14.0+			
Online Connection	Support simultaneous monitoring for up to 3 users; Support multi-stream real time transmission			
Network Protocol	UDP, IPv4, IPv6, DHCP, NTP, RTSP, RTP, RTCP, PPPoE, DDNS, SMTP, FTP, 802.1x, SNMP, UPnP, HTTP, HTTPS, QoS			
Interface Protocol	ONVIF			
Storage	Network remote storage; micro SD card storage			
Smart Alarm	Motion detection, SD card full, SD card error			
Smart Event	Video Exception (scene change, video blur and video cast detection), line crossing detection and region intrusion detection			
General Function	Watermark, video mask, heartbeat, image distortion correction, corridor pattern			
Security	Video encryption, firmware encryption, HTTPS encryption, configuration encryption, illegal login lock, IP address filtering, 802.1x authentication, basic and digest authentication for HTTP/HTTPS			
PoE	Yes			
IR Distance	20 ~ 30 m			
Ingress Protection	IP67			
<b>DORI Distance</b>				
Lens	Detect	Observe	Recognize	Identify
2.8mm	61.76m(202.62ft)	24.70m(81.03ft)	12.35m(40.51ft)	6.18m(20.27ft)

Wi-Fi	
Wireless Standards	IEEE802.11b/g/n
Frequency Range	2.4GHz ~ 2.4835 GHz
Channel Bandwidth	20MHz
Security	WEP, WPA-PSK/WPA2-PSK
Wireless Range	80m
Transfer Rates	11b: 11Mbps 11g: 54Mbps 11n: up to 150Mbps
Others	
Power Supply	DC12V/PoE
Power Consumption	< 5W
Operating Environment	- 30 °C ~ 60 °C (-22°F~140°F); Humidity: less than 95 % (non-condensing)
Storage Environment	- 30 °C ~ 65 °C (-22°F~149°F), Humidity: less than 95 % (non-condensing)
Dimensions ( mm )	167.6 × 74.7 × 148.2
Weight ( net )	Approx. 0.465KG
Installation	Ceiling mounting; Wall mounting
Certificate	CE, FCC
Environmental Protection	Complies with Directive EU RoHS, WEEE(2012/19/EU), directive 94/62/EC and REACH(EC1907/2006)

### DIMENSIONS



### AVAILABLE ACCESSORIES

